

PTFE O-RINGS

Table of Contents

Title	Page
General Information	6.3
TG O-Rings – Brief Description	6.3
TF2 Gland Dimensions	6.5
TF2 Tolerances	6.6
TF2	6.7
TF3 Tolerances	6.18
TF3	6.19

Part Numbering System

EXAMPLE: TF2 - 119T - 801



O-Rings made with PTFE

PTFE exhibits some unique properties when used in O-Ring sealing systems. The most well known is its impervious nature to virtually all fluids and gases from -320 °F to +450 °F. Only molten alkaline metals and certain halogenated compounds will degrade its integrity. There are no elastomeric compounds in our PTFE products.

If you are concerned about the compatibility of your O-Ring seal with a sealed medium, or sealing over a wide temperature range, PTFE is one of the safest choices you can make.

CoorsTek furnishes O-Rings in a wide range of engineering thermoplastics including Nylon and KEL-F. We will be happy to assist you in evaluating your sealing requirements regardless of which sealing system you are considering. At CoorsTek, "We get involved and provide amazing solutions."

Design tips for PTFE O-Rings

General Groove Design for Dynamic Applications

In case of compressive-type installations for dynamic applications, standard rubber O-Ring practice (i.e. Per MIL-G-5514) is generally recommended. TG O-Rings may also be an alternative for your particular application. Please refer to our TG O-Rings section.

Groove Design for Radial Sealing Applications

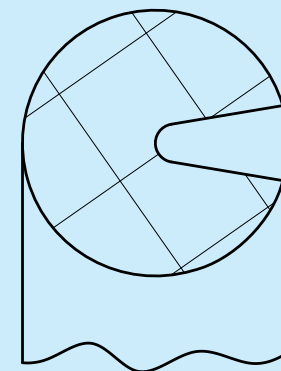
Because the physical differences are so great between PTFE and elastomeric compounds, the following design and installation approaches will yield the best sealing results from both performance and seal-life standpoints.

PTFE O-Rings do not have the compliance of rubber O-rings. To ease assembly, the cross-sectional squeeze should be reduced relative to that specified for rubber.

PTFE O-Rings generally are not subject to spiral failure as are rubber O-Rings, so gland width can be reduced.

TG O-Rings

The TG version of our standard O-rings incorporates a groove as illustrated and are carried in all dash numbers in this catalog (Please see the Part Numbering System on page 6.2 for appropriate ordering). This groove allows for the O-ring to positively seal in semi-dynamic, unidirectional-pressure applications by allowing the system's pressurized fluid to "expand" the O-ring cross section with hardware motion. The TG O-rings are a good solution to systems that maintain pressure for long periods of time, for some leaking may occur at the low pressure phase of the cycle. Consult with CoorsTek Engineering to confirm TG O-rings are the optimal solution to your sealing needs.



Installation tips for Teflon O-Rings

When installing PTFE O-Rings, caution is required to ensure they are not nicked or gouged during assembly. Gouging can be done inadvertently by stretching the O-Rings over threads or sharp shoulders. Provide corner breaks or radii, if possible, or use tools to load rings over sharp areas.

Try to keep the installation stretch of O-Rings moderate, less than 10% if possible. If greater stretch is required, a bath of hot oil or water will make the task easier. Special procedures or design changes may be necessary for stretch situations greater than 20%. Please contact CoorsTek Engineering.

As with all thermoplastics, PTFE has a tendency to creep. This should be considered in light of the sealing environment to prevent loss of the sealing load.

The effects of cold flow can be ameliorated by making some adjustment to the dimensions recommended in the tables. For instance, in static sealing applications, somewhat less squeeze should help resist cold flow with little negative effect.

Special PTFE "TG" grooved O-Rings can aid in maintaining a long-life seal in the presence of cold flow.

The problems of cold flow can be minimized by using special filled PTFE compounds and CoorsTek Tetralon® materials.

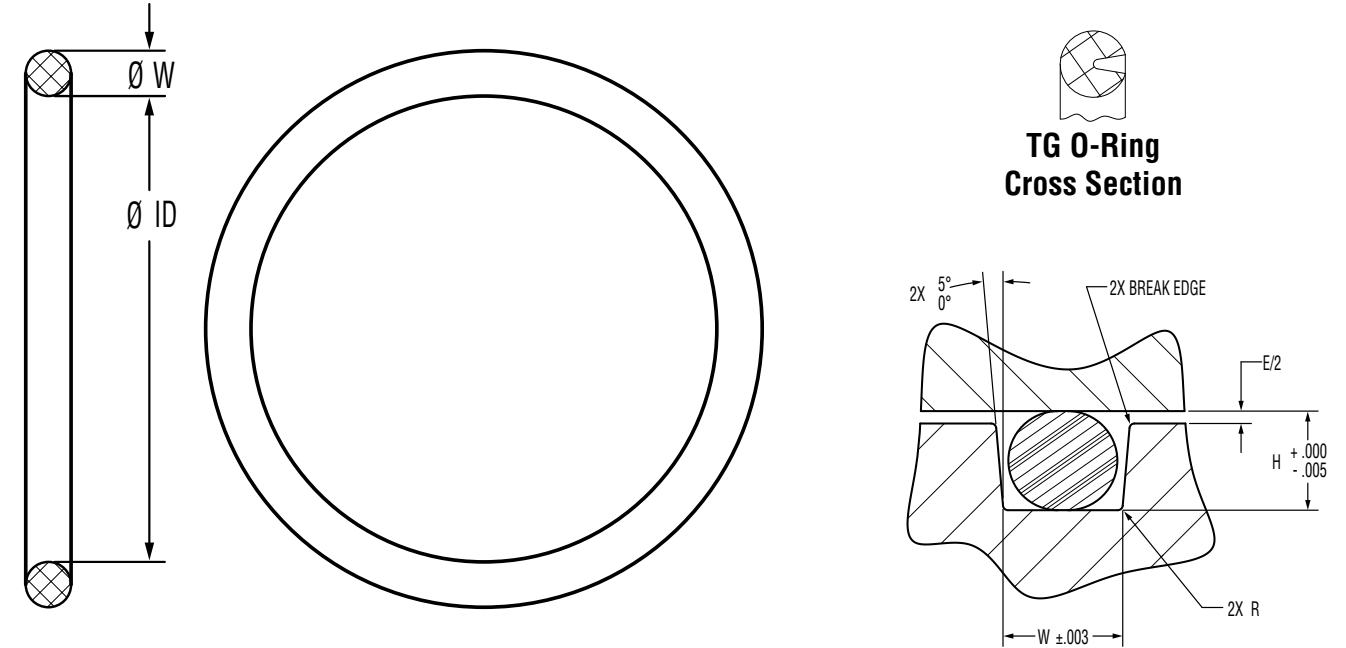
The PTFE O-Rings shown in this manual can be produced in a wide range of compounds including glass, bronze, and graphite-filled PTFE.

In most cases, unfilled PTFE will probably satisfy your requirements. For unusual or severe-duty situations, please call CoorsTek Engineering.

Tables of these standards and a cross reference to applicable CoorsTek catalog numbers are given in this catalog.

For radial sealing situations, a set of general design recommendations is shown on page 6.5.

Special sizes and materials are available upon request.



Dash No.	Minimum Cross Section Squeeze	H Groove Height	E Max. Diametral Clearance	R Corner Radius		W Groove Width
				Min	Max	
				Inches		
006 TO 050	0.005	0.065	0.005	0.005	0.015	0.080
102 TO 178		0.098				
201 TO 284	0.006	0.133	0.006	0.010	0.025	0.160
309 TO 395	0.008	0.202				
425 TO 475	0.010	0.265	0.007	0.020	0.035	0.315

Dash No.	Minimum Cross Section Squeeze	H Groove Height	E Max. Diametral Clearance	R Corner Radius		W Groove Width
				Min	Max	
				Millimeters		
006 TO 050	0.13	1.65	0.13	0.13	0.38	2.03
102 TO 178		2.49				
201 TO 284	0.15	3.38	0.15	0.25	0.64	4.06
309 TO 395	0.20	5.13				
425 TO 475	0.25	6.73	0.18	0.51	0.89	8.00

- 1 tetralon materials
- 2 back-up rings
- 3 metaplast II spring seals
- 4 tetracap & unilock seals
- 5 tetraflex piston seals
- 6 o-rings
- 7 metallic seals
- 8 tetralon bearings

O-Rings

TF2 Tolerances

Dash No.	Inches			Nominal W	Millimeters							
	ID Tol.	W	W Tol.		ID Tol.	W	W Tol.					
006 to 019	0.005	0.070	0.003	1/16	0.13	1.78	0.08					
020 to 028	0.006				0.15							
029 to 038	0.010				0.25							
039 to 048	0.015				0.38							
049 to 050	0.023				0.58							
102	0.004	0.103	0.003	3/32	0.10	2.62	0.08					
103 to 116	0.005				0.13							
117 to 128	0.006				0.15							
129 to 146	0.010				0.25							
147 to 159	0.015				0.38							
160 to 167	0.023				0.58							
168 to 178	0.030				0.76							
201 to 209	0.005				0.139			0.004	1/8	0.13	3.53	0.10
210 to 222	0.006	0.15										
223 to 231	0.010	0.25										
232 to 250	0.015	0.38										
251 to 262	0.023	0.58										
263 to 281	0.030	0.76										
282 to 284	0.045	1.14										
309 to 314	0.005	0.210	0.005	3/16		0.13	5.33			0.13		
315 to 324	0.006					0.15						
325 to 334	0.010					0.25						
335 to 353	0.015				0.38							
354 to 365	0.023				0.58							
366 to 384	0.030				0.76							
385 to 387	0.045				1.14							
388 to 391	0.047				1.19							
392 to 395	0.060				1.52							
425 to 429	0.015				0.275	0.006		1/4	0.38		6.99	0.15
430 to 441	0.023	0.58										
442 to 460	0.030	0.76										
461 to 471	0.045	1.14										
472 to 475	0.060	1.52										

O-Rings

TF2

Dash No.	AS568A Dash No.	AN6227B AN6230B Part No.	Inches		Nominal		VOL (in ³)	Millimeters	
			ID	Mean OD (Ref)	I.D.	O.D.		ID	Mean OD (Ref)
006	-006	AN6227B-1	0.114	0.254	1/8	1/4	0.0022	2.90	6.46
007	-007	AN6227B-2	0.145	0.285	5/32	5/32	0.0026	3.68	7.24
008	-008	AN6227B-3	0.176	0.316	3/16	5/16	0.0030	4.47	8.03
009	-009	AN6227B-4	0.208	0.348	7/32	11/32	0.0034	5.28	8.84
010	-010	AN6227B-5	0.239	0.379	1/4	3/8	0.0037	6.07	9.63
011	-011	AN6227B-6	0.301	0.441	5/16	7/16	0.0045	7.65	11.21
012	-012	AN6227B-7	0.364	0.504	3/8	1/2	0.0052	9.25	12.81
013	-013	-----	0.426	0.566	7/16	9/16	0.0060	10.82	14.38
014	-014	-----	0.489	0.629	1/2	5/8	0.0068	12.42	15.98
015	-015	-----	0.551	0.691	9/16	11/16	0.0075	14.00	17.56
016	-016	-----	0.614	0.754	5/8	3/4	0.0083	15.60	19.16
017	-017	-----	0.676	0.816	11/16	13/16	0.0090	17.17	20.73
018	-018	-----	0.739	0.879	3/4	7/8	0.0098	18.77	22.33
019	-019	-----	0.801	0.941	13/16	15/16	0.0105	20.35	23.91
020	-020	-----	0.864	1.004	7/8	1	0.0113	21.95	25.51
021	-021	-----	0.926	1.066	15/16	1 1/16	0.0120	23.52	27.08
022	-022	-----	0.989	1.129	1	1 1/8	0.0128	25.12	28.68
023	-023	-----	1.051	1.191	1 1/16	1 3/16	0.0136	26.70	30.26
024	-024	-----	1.114	1.254	1 1/8	1 1/4	0.0143	28.30	31.86
025	-025	-----	1.176	1.316	1 3/16	1 5/16	0.0151	29.87	33.43
026	-026	-----	1.239	1.379	1 1/4	1 3/8	0.0158	31.47	35.03
027	-027	-----	1.301	1.441	1 5/16	1 7/16	0.0166	33.05	36.61
028	-028	-----	1.364	1.504	1 3/8	1 1/2	0.0173	34.65	38.21
029	-029	-----	1.489	1.629	1 1/2	1 5/8	0.0188	37.82	41.38
030	-030	-----	1.614	1.754	1 5/8	1 3/4	0.0204	41.00	44.56
031	-031	-----	1.739	1.879	1 3/4	1 7/8	0.0219	44.17	47.73
032	-032	-----	1.864	2.004	1 7/8	2	0.0234	47.35	50.91
033	-033	-----	1.989	2.129	2	2 1/8	0.0249	50.52	54.08
034	-034	-----	2.114	2.254	2 1/8	2 1/4	0.0264	53.70	57.26
035	-035	-----	2.239	2.379	2 1/4	2 3/8	0.0279	56.87	60.43
036	-036	-----	2.364	2.504	2 3/8	2 1/2	0.0294	60.05	63.61
037	-037	-----	2.489	2.629	2 1/2	2 5/8	0.0309	63.22	66.78
038	-038	-----	2.614	2.754	2 5/8	2 3/4	0.0324	66.40	69.96
039	-039	-----	2.739	2.879	2 3/4	2 7/8	0.0340	69.57	73.13

- 1 tetralon materials
- 2 back-up rings
- 3 metaplast II spring seals
- 4 tetracap & unilock seals
- 5 tetraflex piston seals
- 6 o-rings
- 7 metallic seals
- 8 tetralon bearings

O-Rings

TF2

Dash No.	AS568A Dash No.	AN6227B AN6230B Part No.	Inches		Nominal		VOL (in ³)	Millimeters	
			ID	Mean OD (Ref)	I.D.	O.D.		ID	Mean OD (Ref)
040	-040	-----	2.864	3.004	2 7/8	3	0.0355	72.75	76.31
041	-041	-----	2.989	3.129	3	3 1/8	0.0370	75.92	79.48
042	-042	-----	3.239	3.379	3 1/4	3 3/8	0.0400	82.27	85.83
043	-043	-----	3.489	3.629	3 1/2	3 5/8	0.0430	88.62	92.18
044	-044	-----	3.739	3.879	3 3/4	3 7/8	0.0460	94.97	98.53
045	-045	-----	3.989	4.129	4	4 1/8	0.0491	101.32	104.88
046	-046	-----	4.239	4.379	4 1/4	4 3/8	0.0521	107.67	111.23
047	-047	-----	4.489	4.629	4 1/2	4 5/8	0.0551	114.02	117.58
048	-048	-----	4.739	4.879	4 3/4	4 7/8	0.0581	120.37	123.93
049	-049	-----	4.989	5.129	5	5 1/8	0.0612	126.72	130.28
050	-050	-----	5.239	5.379	5 1/4	5 3/8	0.0642	133.07	136.63
102	-102	-----	0.049	0.255	1/16	1/4	0.0040	1.24	6.48
103	-103	-----	0.081	0.287	3/32	9/32	0.0048	2.06	7.30
104	-104	-----	0.112	0.318	1/8	5/16	0.0056	2.84	8.08
105	-105	-----	0.143	0.349	5/32	11/32	0.0064	3.63	8.87
106	-106	-----	0.174	0.380	3/16	3/8	0.0072	4.42	9.66
107	-107	-----	0.206	0.412	7/32	13/32	0.0081	5.23	10.47
108	-108	-----	0.237	0.443	1/4	7/16	0.0089	6.02	11.26
109	-109	-----	0.299	0.505	5/16	1/2	0.0105	7.59	12.83
110	-110	AN6227B-8	0.362	0.568	3/8	9/16	0.0122	9.19	14.43
111	-111	AN6227B-9	0.424	0.630	7/16	5/8	0.0138	10.77	16.01
112	-112	AN6227B-10	0.487	0.693	1/2	11/16	0.0154	12.37	17.61
113	-113	AN6227B-11	0.549	0.755	9/16	3/4	0.0171	13.94	19.18
114	-114	AN6227B-12	0.612	0.818	5/8	13/16	0.0187	15.54	20.78
115	-115	AN6227B-13	0.674	0.880	11/16	7/8	0.0203	17.12	22.36
116	-116	AN6227B-14	0.737	0.943	3/4	15/16	0.0220	18.72	23.96
117	-117	-----	0.799	1.005	13/16	1	0.0236	20.29	25.53
118	-118	-----	0.862	1.068	7/8	1 1/16	0.0253	21.89	27.13
119	-119	-----	0.924	1.130	15/16	1 1/8	0.0269	23.47	28.71
120	-120	-----	0.987	1.193	1	1 3/16	0.0285	25.07	30.31
121	-121	-----	1.049	1.255	1 1/16	1 1/4	0.0302	26.64	31.88
122	-122	-----	1.112	1.318	1 1/8	1 5/16	0.0318	28.24	33.48
123	-123	-----	1.174	1.380	1 3/16	1 3/8	0.0334	29.82	35.06
124	-124	-----	1.237	1.443	1 1/4	1 7/16	0.0351	31.42	36.66

O-Rings

TF2

Dash No.	AS568A Dash No.	AN6227B AN6230B Part No.	Inches		Nominal		VOL (in ³)	Millimeters	
			ID	Mean OD (Ref)	I.D.	O.D.		ID	Mean OD (Ref)
125	-125	-----	1.299	1.505	1 5/16	1 1/2	0.0367	32.99	38.23
126	-126	-----	1.362	1.568	1 3/8	1 9/16	0.0383	34.59	39.83
127	-127	-----	1.424	1.630	1 7/16	1 5/8	0.0400	36.17	41.41
128	-128	-----	1.487	1.693	1 1/2	1 11/16	0.0416	37.77	43.01
129	-129	-----	1.549	1.755	1 9/16	1 3/4	0.0432	39.34	44.58
130	-130	-----	1.612	1.818	1 5/8	1 13/16	0.0449	40.94	46.18
131	-131	-----	1.674	1.880	1 11/16	1 7/8	0.0465	42.52	47.76
132	-132	-----	1.737	1.943	1 3/4	1 15/16	0.0482	44.12	49.36
133	-133	-----	1.799	2.005	1 13/16	2	0.0498	45.69	50.93
134	-134	-----	1.862	2.068	1 7/8	2 1/16	0.0514	47.29	52.53
135	-135	-----	1.925	2.131	1 15/16	2 1/8	0.0531	48.90	54.14
136	-136	-----	1.987	2.193	2	2 3/16	0.0547	50.47	55.71
137	-137	-----	2.050	2.256	2 1/16	2 1/4	0.0564	52.07	57.31
138	-138	-----	2.112	2.318	2 3/8	2 5/16	0.0580	53.64	58.88
139	-139	-----	2.175	2.381	2 3/16	2 3/8	0.0596	55.25	60.49
140	-140	-----	2.237	2.443	2 1/4	2 7/16	0.0612	56.82	62.06
141	-141	-----	2.300	2.506	2 5/16	2 1/2	0.0629	58.42	63.66
142	-142	-----	2.362	2.568	2 3/8	2 9/16	0.0645	59.99	65.23
143	-143	-----	2.425	2.631	2 7/16	2 5/8	0.0662	61.60	66.84
144	-144	-----	2.487	2.693	2 1/2	2 11/16	0.0678	63.17	68.41
145	-145	-----	2.550	2.756	2 9/16	2 3/4	0.0694	64.77	70.01
146	-146	-----	2.612	2.818	2 7/8	2 13/16	0.0711	66.34	71.58
147	-147	-----	2.675	2.881	2 11/16	2 7/8	0.0727	67.95	73.19
148	-148	-----	2.737	2.943	2 3/4	2 15/16	0.0743	69.52	74.76
149	-149	-----	2.800	3.006	2 13/16	3	0.0760	71.12	76.36
150	-150	-----	2.862	3.068	2 7/8	3 1/16	0.0776	72.69	77.93
151	-151	-----	2.987	3.193	3	3 3/16	0.0809	75.87	81.11
152	-152	-----	3.237	3.443	3 1/4	3 7/16	0.0874	82.22	87.46
153	-153	-----	3.487	3.693	3 1/2	3 11/16	0.0940	88.57	93.81
154	-154	-----	3.737	3.943	3 3/4	3 15/16	0.1005	94.92	100.16
155	-155	-----	3.987	4.193	4	4 3/16	0.1071	101.27	106.51
156	-156	-----	4.237	4.443	4 1/4	4 7/16	0.1136	107.62	112.86
157	-157	-----	4.487	4.693	4 1/2	4 11/16	0.1202	113.97	119.21
158	-158	-----	4.737	4.943	4 3/4	4 15/16	0.1267	120.32	125.56

- 1 tetralon materials
- 2 back-up rings
- 3 metaplast II spring seals
- 4 tetracap & unilock seals
- 5 tetraflex piston seals
- 6 o-rings
- 7 metallic seals
- 8 tetralon bearings

O-Rings

TF2

Dash No.	AS568A Dash No.	AN6227B AN6230B Part No.	Inches		Nominal		VOL (in ³)	Millimeters	
			ID	Mean OD (Ref)	I.D.	O.D.		ID	Mean OD (Ref)
159	-159	-----	4.987	5.193	5	5 3/16	0.1332	126.67	131.91
160	-160	-----	5.237	5.443	5 1/4	5 7/16	0.1398	133.02	138.26
161	-161	-----	5.487	5.693	5 1/2	5 11/16	0.1463	139.37	144.61
162	-162	-----	5.737	5.943	5 3/4	5 15/16	0.1529	145.72	150.96
163	-163	-----	5.987	6.193	6	6 3/16	0.1594	152.07	157.31
164	-164	-----	6.237	6.443	6 1/4	6 7/16	0.1660	158.42	163.66
165	-165	-----	6.487	6.693	6 1/2	6 11/16	0.1725	164.77	170.01
166	-166	-----	6.737	6.943	6 3/4	6 15/16	0.1790	171.12	176.36
167	-167	-----	6.987	7.193	7	7 3/16	0.1856	177.47	182.71
168	-168	-----	7.237	7.443	7 1/4	7 7/16	0.1921	183.82	189.06
169	-169	-----	7.487	7.693	7 1/2	7 11/16	0.1987	190.17	195.41
170	-170	-----	7.737	7.943	7 3/4	7 15/16	0.2052	196.52	201.76
171	-171	-----	7.987	8.193	8	8 3/16	0.2118	202.87	208.11
172	-172	-----	8.237	8.443	8 1/4	8 7/16	0.2183	209.22	214.46
173	-173	-----	8.487	8.693	8 1/2	8 11/16	0.2249	215.57	220.81
174	-174	-----	8.737	8.943	8 3/4	8 15/16	0.2314	221.92	227.16
175	-175	-----	8.987	9.193	9	9 3/16	0.2379	228.27	233.51
176	-176	-----	9.237	9.443	9 1/4	9 7/16	0.2445	234.62	239.86
177	-177	-----	9.487	9.693	9 1/2	9 11/16	0.2510	240.97	246.21
178	-178	-----	9.737	9.943	9 3/4	9 15/16	0.2576	247.32	252.56
201	-201	-----	0.171	0.449	3/16	7/16	0.0148	4.34	11.40
202	-202	-----	0.234	0.512	1/4	1/2	0.0178	5.94	13.00
203	-203	-----	0.296	0.574	5/16	9/16	0.0207	7.52	14.58
204	-204	-----	0.359	0.637	3/8	5/8	0.0237	9.12	16.18
205	-205	-----	0.421	0.699	7/16	11/16	0.0267	10.69	17.75
206	-206	-----	0.484	0.762	1/2	3/4	0.0297	12.29	19.35
207	-207	-----	0.546	0.824	9/16	13/16	0.0327	13.87	20.93
208	-208	-----	0.609	0.887	5/8	7/8	0.0357	15.47	22.53
209	-209	-----	0.671	0.949	11/16	15/16	0.0386	17.04	24.10
210	-210	AN6227B-15	0.734	1.012	3/4	1	0.0416	18.64	25.70
211	-211	AN6227B-16	0.796	1.074	13/16	1 1/16	0.0446	20.22	27.28
212	-212	AN6227B-17	0.859	1.137	7/8	1 1/8	0.0476	21.82	28.88
213	-213	AN6227B-18	0.921	1.199	15/16	1 3/16	0.0505	23.39	30.45
214	-214	AN6227B-19	0.984	1.262	1	1 1/4	0.0535	24.99	32.05

O-Rings

TF2

Dash No.	AS568A Dash No.	AN6227B AN6230B Part No.	Inches		Nominal		VOL (in ³)	Millimeters	
			ID	Mean OD (Ref)	I.D.	O.D.		ID	Mean OD (Ref)
215	-215	AN6227B-20	1.046	1.324	1 1/16	1 1/8	0.0565	26.57	33.63
216	-216	AN6227B-21	1.109	1.387	1 1/8	1 1/4	0.0595	28.17	35.23
217	-217	AN6227B-22	1.171	1.449	1 3/16	1 1/2	0.0624	29.74	36.80
218	-218	AN6227B-23	1.234	1.512	1 1/4	1 5/8	0.0654	31.34	38.40
219	-219	AN6227B-24	1.296	1.574	1 5/16	1 3/4	0.0684	32.92	39.98
220	-220	AN6227B-25	1.359	1.637	1 3/8	1 7/8	0.0714	34.52	41.58
221	-221	AN6227B-26	1.421	1.699	1 7/16	1 15/16	0.0744	36.09	43.15
222	-222	AN6227B-27	1.484	1.762	1 1/2	1 7/8	0.0774	37.69	44.75
223	-223	AN6230B-1	1.609	1.887	1 5/8	1 7/8	0.0833	40.87	47.93
224	-224	AN6230B-2	1.734	2.012	1 3/4	2	0.0893	44.04	51.10
225	-225	AN6230B-3	1.859	2.137	1 7/8	2 1/8	0.0952	47.22	54.28
226	-226	AN6230B-4	1.984	2.262	2	2 1/4	0.1012	50.39	57.45
227	-227	AN6230B-5	2.109	2.387	2 1/16	2 3/8	0.1072	53.57	60.63
228	-228	AN6230B-6	2.234	2.512	2 1/4	2 1/2	0.1131	56.74	63.80
229	-229	AN6230B-7	2.359	2.637	2 3/8	2 5/8	0.1191	59.92	66.98
230	-230	AN6230B-8	2.484	2.762	2 1/2	2 3/4	0.1250	63.09	70.15
231	-231	AN6230B-9	2.609	2.887	2 5/8	2 7/8	0.1310	66.27	73.33
232	-232	AN6230B-10	2.734	3.012	2 3/4	3	0.1370	69.44	76.50
233	-233	AN6230B-11	2.859	3.137	2 7/8	3 1/8	0.1429	72.62	79.68
234	-234	AN6230B-12	2.984	3.262	3	3 1/4	0.1489	75.79	82.85
235	-235	AN6230B-13	3.109	3.387	3 1/8	3 3/8	0.1548	78.97	86.03
236	-236	AN6230B-14	3.234	3.512	3 1/4	3 1/2	0.1608	82.14	89.20
237	-237	AN6230B-15	3.359	3.637	3 3/8	3 5/8	0.1668	85.32	92.38
238	-238	AN6230B-16	3.484	3.762	3 1/2	3 3/4	0.1727	88.49	95.55
239	-239	AN6230B-17	3.609	3.887	3 5/8	3 7/8	0.1787	91.67	98.73
240	-240	AN6230B-18	3.734	4.012	3 3/4	4	0.1846	94.84	101.90
241	-241	AN6230B-19	3.859	4.137	3 7/8	4 1/8	0.1906	98.02	105.08
242	-242	AN6230B-20	3.984	4.262	4	4 1/4	0.1966	101.19	108.25
243	-243	AN6230B-21	4.109	4.387	4 1/8	4 3/8	0.2025	104.37	111.43
244	-244	AN6230B-22	4.234	4.512	4 1/4	4 1/2	0.2085	107.54	114.60
245	-245	AN6230B-23	4.359	4.637	4 3/8	4 5/8	0.2144	110.72	117.78
246	-246	AN6230B-24	4.484	4.762	4 1/2	4 3/4	0.2204	113.89	120.95
247	-247	AN6230B-25	4.609	4.887	4 5/8	4 7/8	0.2264	117.07	124.13
248	-248	AN6230B-26	4.734	5.012	4 3/4	5	0.2323	120.24	127.30

- 1 tetralon materials
- 2 back-up rings
- 3 metaplast II spring seals
- 4 tetracap & unilock seals
- 5 tetraflex piston seals
- 6 o-rings
- 7 metallic seals
- 8 tetralon bearings

O-Rings

TF2

Dash No.	AS568A Dash No.	AN6227B AN6230B Part No.	Inches		Nominal		VOL (in ³)	Millimeters	
			ID	Mean OD (Ref)	I.D.	O.D.		ID	Mean OD (Ref)
249	-249	AN6230B-27	4.859	5.137	4 7/8	5 1/8	0.2383	123.42	130.48
250	-250	AN6230B-28	4.984	5.262	5	5 1/4	0.2442	126.59	133.65
251	-251	AN6230B-29	5.109	5.387	5 1/8	5 3/8	0.2502	129.77	136.83
252	-252	AN6230B-30	5.234	5.512	5 1/4	5 1/2	0.2561	132.94	140.00
253	-253	AN6230B-31	5.359	5.637	5 3/8	5 5/8	0.2621	136.12	143.18
254	-254	AN6230B-32	5.484	5.762	5 1/2	5 3/4	0.2681	139.29	146.35
255	-255	AN6230B-33	5.609	5.887	5 5/8	5 7/8	0.2740	142.47	149.53
256	-256	AN6230B-34	5.734	6.012	5 3/4	6	0.2800	145.64	152.70
257	-257	AN6230B-35	5.859	6.137	5 7/8	6 1/8	0.2859	148.82	155.88
258	-258	AN6230B-36	5.984	6.262	6	6 1/4	0.2919	151.99	159.05
259	-259	AN6230B-37	6.234	6.512	6 1/4	6 1/2	0.3038	158.34	165.40
260	-260	AN6230B-38	6.484	6.762	6 1/2	6 3/4	0.3157	164.69	171.75
261	-261	AN6230B-39	6.734	7.012	6 3/4	7	0.3277	171.04	178.10
262	-262	AN6230B-40	6.984	7.262	7	7 1/4	0.3396	177.39	184.45
263	-263	AN6230B-41	7.234	7.512	7 1/4	7 1/2	0.3515	183.74	190.80
264	-264	AN6230B-42	7.484	7.762	7 1/2	7 3/4	0.3634	190.09	197.15
265	-265	AN6230B-43	7.734	8.012	7 3/4	8	0.3753	196.44	203.50
266	-266	AN6230B-44	7.984	8.262	8	8 1/4	0.3872	202.79	209.85
267	-267	AN6230B-45	8.234	8.512	8 1/4	8 1/2	0.3992	209.14	216.20
268	-268	AN6230B-46	8.484	8.762	8 1/2	8 3/4	0.4111	215.49	222.55
269	-269	AN6230B-47	8.734	9.012	8 3/4	9	0.4230	221.84	228.90
270	-270	AN6230B-48	8.984	9.262	9	9 1/4	0.4349	228.19	235.25
271	-271	AN6230B-49	9.234	9.512	9 1/4	9 1/2	0.4468	234.54	241.60
272	-272	AN6230B-50	9.484	9.762	9 1/2	9 3/4	0.4588	240.89	247.95
273	-273	AN6230B-51	9.734	10.012	9 3/4	10	0.4707	247.24	254.30
274	-274	AN6230B-52	9.984	10.262	10	10 1/4	0.4826	253.59	260.65
275	-275	-----	10.484	10.762	10 1/2	10 3/4	0.5064	266.29	273.35
276	-276	-----	10.984	11.262	11	11 1/4	0.5303	278.99	286.05
277	-277	-----	11.484	11.762	11 1/2	11 3/4	0.5541	291.69	298.75
278	-278	-----	11.984	12.262	12	12 1/4	0.5779	304.39	311.45
279	-279	-----	12.984	13.262	13	13 1/4	0.6256	329.79	336.85
280	-280	-----	13.984	14.262	14	14 1/4	0.6733	355.19	362.25
281	-281	-----	14.984	15.262	15	15 1/4	0.7210	380.59	387.65
282	-282	-----	15.955	16.233	16	16 1/4	0.7672	405.26	412.32

O-Rings

TF2

Dash No.	AS568A Dash No.	AN6227B AN6230B Part No.	Inches		Nominal		VOL (in ³)	Millimeters	
			ID	Mean OD (Ref)	I.D.	O.D.		ID	Mean OD (Ref)
283	-283	-----	16.955	17.233	17	17 1/4	0.8149	430.66	437.72
284	-284	-----	17.955	18.233	18	18 1/4	0.8626	456.06	463.12
309	-309	-----	0.412	0.832	1/16	13/16	0.0677	10.46	21.12
310	-310	-----	0.475	0.895	1/2	7/8	0.0745	12.07	22.73
311	-311	-----	0.537	0.957	5/16	15/16	0.0813	13.64	24.30
312	-312	-----	0.600	1.020	5/8	1	0.0881	15.24	25.90
313	-313	-----	0.662	1.082	11/16	1 1/16	0.0949	16.81	27.47
314	-314	-----	0.725	1.145	3/4	1 1/8	0.1017	18.42	29.08
315	-315	-----	0.787	1.207	13/16	1 3/16	0.1085	19.99	30.65
316	-316	-----	0.850	1.270	7/8	1 1/4	0.1153	21.59	32.25
317	-317	-----	0.912	1.332	15/16	1 5/16	0.1221	23.16	33.82
318	-318	-----	0.975	1.395	1	1 1/8	0.1289	24.77	35.43
319	-319	-----	1.037	1.457	1 1/16	1 1/16	0.1357	26.34	37.00
320	-320	-----	1.100	1.520	1 1/8	1 1/2	0.1425	27.94	38.60
321	-321	-----	1.162	1.582	1 3/16	1 1/16	0.1493	29.51	40.17
322	-322	-----	1.225	1.645	1 1/4	1 5/8	0.1561	31.12	41.78
323	-323	-----	1.287	1.707	1 5/16	1 13/16	0.1629	32.69	43.35
324	-324	-----	1.350	1.770	1 3/8	1 3/4	0.1697	34.29	44.95
325	-325	AN6227B-28	1.475	1.895	1 1/2	1 7/8	0.1833	37.47	48.13
326	-326	AN6227B-29	1.600	2.020	1 5/8	2	0.1970	40.64	51.30
327	-327	AN6227B-30	1.725	2.145	1 3/4	2 1/8	0.2106	43.82	54.48
328	-328	AN6227B-31	1.850	2.270	1 7/8	2 1/4	0.2242	46.99	57.65
329	-329	AN6227B-32	1.975	2.395	2	2 3/8	0.2378	50.17	60.83
330	-330	AN6227B-33	2.100	2.520	2 1/8	2 1/2	0.2514	53.34	64.00
331	-331	AN6227B-34	2.225	2.645	2 1/4	2 5/8	0.2650	56.52	67.18
332	-332	AN6227B-35	2.350	2.770	2 3/8	2 3/4	0.2786	59.69	70.35
333	-333	AN6227B-36	2.475	2.895	2 1/2	2 7/8	0.2922	62.87	73.53
334	-334	AN6227B-37	2.600	3.020	2 5/8	3	0.3058	66.04	76.70
335	-335	AN6227B-38	2.725	3.145	2 3/4	3 1/8	0.3194	69.22	79.88
336	-336	AN6227B-39	2.850	3.270	2 7/8	3 1/4	0.3330	72.39	83.05
337	-337	AN6227B-40	2.975	3.395	3	3 3/8	0.3466	75.57	86.23
338	-338	AN6227B-41	3.100	3.520	3 1/8	3 1/2	0.3602	78.74	89.40
339	-339	AN6227B-42	3.225	3.645	3 1/4	3 5/8	0.3738	81.92	92.58
340	-340	AN6227B-43	3.350	3.770	3 3/8	3 3/4	0.3874	85.09	95.75

- 1 tetralon materials
- 2 back-up rings
- 3 metaplast II spring seals
- 4 tetracap & unilock seals
- 5 tetraflex piston seals
- 6 o-rings
- 7 metallic seals
- 8 tetralon bearings

Dash No.	AS568A Dash No.	AN6227B AN6230B Part No.	Inches		Nominal		VOL (in ³)	Millimeters	
			ID	Mean OD (Ref)	I.D.	O.D.		ID	Mean OD (Ref)
341	-341	AN6227B-44	3.475	3.895	3 ½	3 ⅝	0.4010	88.27	98.93
342	-342	AN6227B-45	3.600	4.020	3 ⅝	4	0.4146	91.44	102.10
343	-343	AN6227B-46	3.725	4.145	3 ¾	4 ⅛	0.4282	94.62	105.28
344	-344	AN6227B-47	3.850	4.270	3 ⅞	4 ¼	0.4418	97.79	108.45
345	-345	AN6227B-48	3.975	4.395	4	4 ⅜	0.4554	100.97	111.63
346	-346	AN6227B-49	4.100	4.520	4 ¼	4 ½	0.4690	104.14	114.80
347	-347	AN6227B-50	4.225	4.645	4 ½	4 ⅝	0.4826	107.32	117.98
348	-348	AN6227B-51	4.350	4.770	4 ⅝	4 ¾	0.4962	110.49	121.15
349	-349	AN6227B-52	4.475	4.895	4 ½	4 ⅞	0.5098	113.67	124.33
350	-350	-----	4.600	5.020	4 ⅝	5	0.5234	116.84	127.50
351	-351	-----	4.725	5.145	4 ¾	5 ⅛	0.5370	120.02	130.68
352	-352	-----	4.850	5.270	4 ⅞	5 ¼	0.5506	123.19	133.85
353	-353	-----	4.975	5.395	5	5 ⅜	0.5642	126.37	137.03
354	-354	-----	5.100	5.520	5 ⅛	5 ½	0.5778	129.54	140.20
355	-355	-----	5.225	5.645	5 ¼	5 ⅝	0.5914	132.72	143.38
356	-356	-----	5.350	5.770	5 ⅜	5 ¾	0.6050	135.89	146.55
357	-357	-----	5.475	5.895	5 ½	5 ⅞	0.6186	139.07	149.73
358	-358	-----	5.600	6.020	5 ⅝	6	0.6322	142.24	152.90
359	-359	-----	5.725	6.145	5 ¾	6 ⅛	0.6458	145.42	156.08
360	-360	-----	5.850	6.270	5 ⅞	6 ¼	0.6594	148.59	159.25
361	-361	-----	5.975	6.395	6	6 ⅜	0.6730	151.77	162.43
362	-362	-----	6.225	6.645	6 ¼	6 ⅝	0.7002	158.12	168.78
363	-363	-----	6.475	6.895	6 ½	6 ⅞	0.7274	164.47	175.13
364	-364	-----	6.725	7.145	6 ¾	7 ⅛	0.7546	170.82	181.48
365	-365	-----	6.975	7.395	7	7 ⅜	0.7818	177.17	187.83
366	-366	-----	7.225	7.645	7 ¼	7 ⅝	0.8090	183.52	194.18
367	-367	-----	7.475	7.895	7 ½	7 ⅞	0.8362	189.87	200.53
368	-368	-----	7.725	8.145	7 ¾	8 ⅛	0.8634	196.22	206.88
369	-369	-----	7.975	8.395	8	8 ⅜	0.8906	202.57	213.23
370	-370	-----	8.225	8.645	8 ¼	8 ⅝	0.9178	208.92	219.58
371	-371	-----	8.475	8.895	8 ½	8 ⅞	0.9450	215.27	225.93
372	-372	-----	8.725	9.145	8 ¾	9 ⅛	0.9722	221.62	232.28
373	-373	-----	8.975	9.395	9	9 ⅜	0.9994	227.97	238.63
374	-374	-----	9.225	9.645	9 ¼	9 ⅝	1.0266	234.32	244.98

Dash No.	AS568A Dash No.	AN6227B AN6230B Part No.	Inches		Nominal		VOL (in ³)	Millimeters	
			ID	Mean OD (Ref)	I.D.	O.D.		ID	Mean OD (Ref)
375	-375	-----	9.475	9.895	9 ½	9 ⅝	1.0538	240.67	251.33
376	-376	-----	9.725	10.145	9 ¾	10 ⅛	1.0810	247.02	257.68
377	-377	-----	9.975	10.395	10	10 ⅜	1.1083	253.37	264.03
378	-378	-----	10.475	10.895	10 ½	10 ⅞	1.1627	266.07	276.73
379	-379	-----	10.975	11.395	11	11 ⅜	1.2171	278.77	289.43
380	-380	-----	11.475	11.895	11 ½	11 ⅞	1.2715	291.47	302.13
381	-381	-----	11.975	12.395	12	12 ⅜	1.3259	304.17	314.83
382	-382	-----	12.975	13.395	13	13 ⅜	1.4347	329.57	340.23
383	-383	-----	13.975	14.395	14	14 ⅜	1.5435	354.97	365.63
384	-384	-----	14.975	15.395	15	15 ⅜	1.6523	380.37	391.03
385	-385	-----	15.955	16.375	16	16 ⅜	1.7590	405.26	415.92
386	-386	-----	16.955	17.375	17	17 ⅜	1.8678	430.66	441.32
387	-387	-----	17.955	18.375	18	18 ⅜	1.9766	456.06	466.72
388	-388	-----	18.955	19.375	19	19 ⅜	2.0854	481.46	492.12
389	-389	-----	19.955	20.375	20	20 ⅜	2.1942	506.86	517.52
390	-390	-----	20.955	21.375	21	21 ⅜	2.3030	532.26	542.92
391	-391	-----	21.955	22.375	22	22 ⅜	2.4118	557.66	568.32
392	-392	-----	22.940	23.360	23	23 ⅜	2.5190	582.68	593.34
393	-393	-----	23.940	24.360	24	24 ⅜	2.6278	608.08	618.74
394	-394	-----	24.940	25.360	25	25 ⅜	2.7366	633.48	644.14
395	-395	-----	25.940	26.360	26	26 ⅜	2.8454	658.88	669.54
425	-425	AN6227B-88	4.475	5.025	4 ½	5	0.8863	113.67	127.65
426	-426	AN6227B-53	4.600	5.150	4 ⅝	5 ⅛	0.9097	116.84	130.82
427	-427	AN6227B-54	4.725	5.275	4 ¾	5 ¼	0.9330	120.02	134.00
428	-428	AN6227B-55	4.850	5.400	4 ⅞	5 ⅝	0.9563	123.19	137.17
429	-429	AN6227B-56	4.975	5.525	5	5 ½	0.9796	126.37	140.35
430	-430	AN6227B-57	5.100	5.650	5 ⅛	5 ⅝	1.0030	129.54	143.52
431	-431	AN6227B-58	5.225	5.775	5 ¼	5 ¾	1.0263	132.72	146.70
432	-432	AN6227B-59	5.350	5.900	5 ⅜	5 ⅞	1.0496	135.89	149.87
433	-433	AN6227B-60	5.475	6.025	5 ½	6	1.0729	139.07	153.05
434	-434	AN6227B-61	5.600	6.150	5 ⅝	6 ⅛	1.0963	142.24	156.22
435	-435	AN6227B-62	5.725	6.275	5 ¾	6 ¼	1.1196	145.42	159.40
436	-436	AN6227B-63	5.850	6.400	5 ⅞	6 ⅝	1.1429	148.59	162.57
437	-437	AN6227B-64	5.975	6.525	6	6 ½	1.1662	151.77	165.75

- 1 tetralon materials
- 2 back-up rings
- 3 metaplast II spring seals
- 4 tetracap & unilock seals
- 5 tetraflex piston seals
- 6 o-rings
- 7 metallic seals
- 8 tetralon bearings

O-Rings

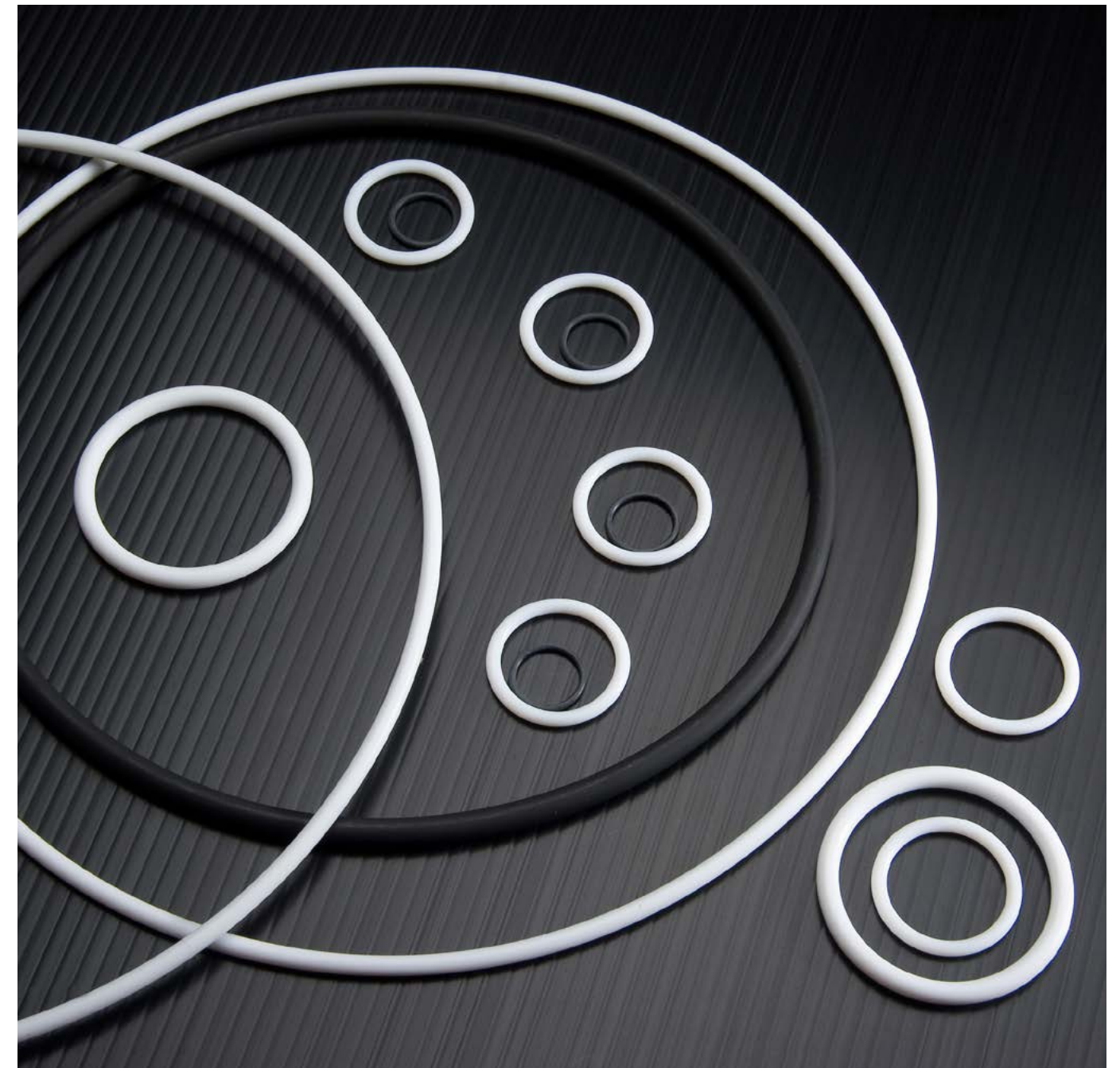
TF2

Dash No.	AS568A Dash No.	AN6227B AN6230B Part No.	Inches		Nominal		VOL (in ³)	Millimeters	
			ID	Mean OD (Ref)	I.D.	O.D.		ID	Mean OD (Ref)
438	-438	AN6227B-65	6.225	6.775	6 ¼	6 ¾	1.2129	158.12	172.10
439	-439	AN6227B-66	6.475	7.025	6 ½	7	1.2595	164.47	178.45
440	-440	AN6227B-67	6.725	7.275	6 ¾	7 ¼	1.3062	170.82	184.80
441	-441	AN6227B-68	6.975	7.525	7	7 ½	1.3528	177.17	191.15
442	-442	AN6227B-69	7.225	7.775	7 ¼	7 ¾	1.3995	183.52	197.50
443	-443	AN6227B-70	7.475	8.025	7 ½	8	1.4461	189.87	203.85
444	-444	AN6227B-71	7.725	8.275	7 ¾	8 ¼	1.4928	196.22	210.20
445	-445	AN6227B-72	7.975	8.525	8	8 ½	1.5394	202.57	216.55
446	-446	AN6227B-73	8.475	9.025	8 ½	9	1.6327	215.27	229.25
447	-447	AN6227B-74	8.975	9.525	9	9 ½	1.7260	227.97	241.95
448	-448	AN6227B-75	9.475	10.025	9 ½	10	1.8193	240.67	254.65
449	-449	AN6227B-76	9.975	10.525	10	10 ½	1.9126	253.37	267.35
450	-450	AN6227B-77	10.475	11.025	10 ½	11	2.0059	266.07	280.05
451	-451	AN6227B-78	10.975	11.525	11	11 ½	2.0992	278.77	292.75
452	-452	AN6227B-79	11.475	12.025	11 ½	12	2.19	291.47	305.45
453	-453	AN6227B-80	11.975	12.525	12	12 ½	2.2858	304.17	318.15
454	-454	AN6227B-81	12.475	13.025	12 ½	13	2.3791	316.87	330.85
455	-455	AN6227B-82	12.975	13.525	13	13 ½	2.4724	329.57	343.55
456	-456	AN6227B-83	13.475	14.025	13 ½	14	2.5657	342.27	356.25
457	-457	AN6227B-84	13.975	14.525	14	14 ½	2.6590	354.97	368.95
458	-458	AN6227B-85	14.475	15.025	14 ½	15	2.7523	367.67	381.65
459	-459	AN6227B-86	14.975	15.525	15	15 ½	2.8456	380.37	394.35
460	-460	AN6227B-87	15.475	16.025	15 ½	16	2.9389	393.07	407.05
461	-461	-----	15.955	16.505	16	16 ½	3.0285	405.26	419.24
462	-462	-----	16.455	17.005	16 ½	17	3.1218	417.96	431.94
463	-463	-----	16.955	17.505	17	17 ½	3.2151	430.66	444.64
464	-464	-----	17.455	18.005	17 ½	18	3.3084	443.36	457.34
465	-465	-----	17.955	18.505	18	18 ½	3.4017	456.06	470.04
466	-466	-----	18.455	19.005	18 ½	19	3.4950	468.76	482.74
467	-467	-----	18.955	19.505	19	19 ½	3.5883	481.46	495.44
468	-468	-----	19.455	20.005	19 ½	20	3.6816	494.16	508.14
469	-469	-----	19.955	20.505	20	20 ½	3.7749	506.86	520.84
470	-470	-----	20.955	21.505	21	21 ½	3.9615	532.26	546.24
471	-471	-----	21.955	22.505	22	22 ½	4.1481	557.66	571.64

O-Rings

TF2

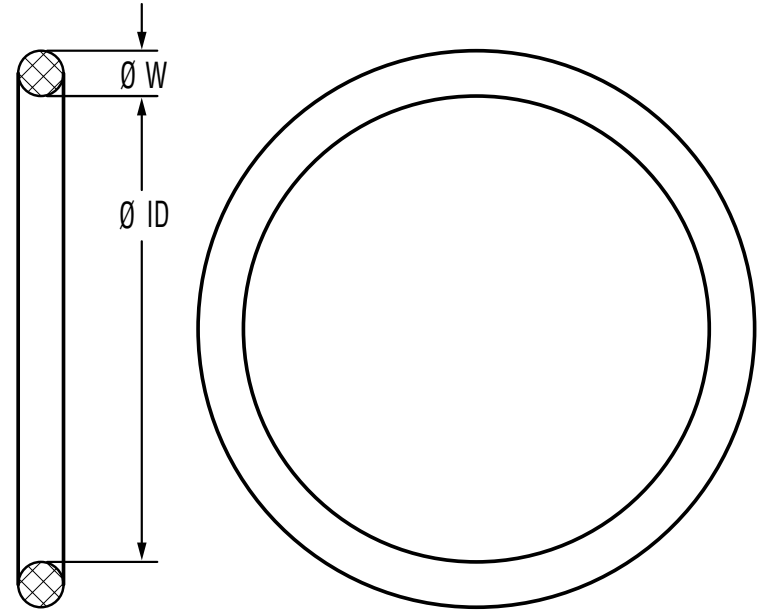
Dash No.	AS568A Dash No.	AN6227B AN6230B Part No.	Inches		Nominal		VOL (in ³)	Millimeters	
			ID	Mean OD (Ref)	I.D.	O.D.		ID	Mean OD (Ref)
472	-472	-----	22.940	23.490	23	23 ½	4.3319	582.68	596.66
473	-473	-----	23.940	24.490	24	24 ½	4.5185	608.08	622.06
474	-474	-----	24.940	25.490	25	25 ½	4.7051	633.48	647.46
475	-475	-----	25.940	26.490	26	26 ½	4.8917	658.88	672.86



- 1 tetralon materials
- 2 back-up rings
- 3 metaplast II spring seals
- 4 tetracap & unilock seals
- 5 tetraflex piston seals
- 6 o-rings
- 7 metallic seals
- 8 tetralon bearings

O-Rings

TF3 Tolerances



**TG O-Ring
Cross Section**

Dash No.	Inches			Millimeters					
	ID Tol.	W	W Tol.	ID Tol.	W	W Tol.			
TF3-001T	0.005	0.056	0.003	0.13	1.42	0.08			
TF3-002T		0.064			1.63				
TF3-003T		0.072			1.83				
TF3-004T		0.078			1.98				
TF3-005T		0.082			2.08				
TF3-006T		0.087			2.21				
TF3-007T		0.097			2.46				
TF3-008T		0.006			0.116		0.004	0.15	2.95
TF3-009T									
TF3-010T									
TF3-011T									
TF3-012T	0.010	0.118	0.004	0.25	3.00				
TF3-013T									
TF3-014T									
TF3-016T									
TF3-018T									
TF3-020T									
TF3-024T									
TF3-028T									
TF3-032T									

O-Rings

TF3

Part No.	AS568A M25988 M83248 Dash No.	MS9020 MS9355 MS29512 Dash No.	Inches		Tube OD (Ref.)	Volume (in ³)	Millimeters	
			ID	Mean OD (Ref.)			ID	Mean OD (Ref.)
TF3-001T	-901	-01	0.185	0.297	3/32	0.0019	4.70	7.54
TF3-002T	-902	-02	0.239	0.367	1/8	0.0031	6.07	9.33
TF3-003T	-903	-03	0.301	0.429	3/16	0.0037	7.65	10.91
TF3-004T	-904	-04	0.351	0.495	1/4	0.0055	8.92	12.58
TF3-005T	-905	-05	0.414	0.558	5/16	0.0063	10.52	14.18
TF3-006T	-906	-06	0.468	0.624	3/8	0.0082	11.89	15.85
TF3-007T	-907	-07	0.530	0.694	7/16	0.0102	13.46	17.62
TF3-008T	-908	-08	0.644	0.818	1/2	0.0137	16.36	20.78
TF3-009T	-909	-09	0.706	0.900	5/8	0.0187	17.93	22.85
TF3-010T	-910	-10	0.755	0.949	3/4	0.0198	19.18	24.10
TF3-011T	-911	-11	0.863	1.095	1 1/16	0.0326	21.92	27.82
TF3-012T	-912	-12	0.924	1.156	3/4	0.0346	23.47	29.37
TF3-013T	-913	-13	0.986	1.218	13/16	0.0366	25.04	30.94
TF3-014T	-914	-14	1.047	1.279	7/8	0.0387	26.59	32.49
TF3-016T	-916	-16	1.171	1.403	1	0.0428	29.74	35.64
TF3-018T	-918	-18	1.355	1.587	1 1/8	0.0489	34.42	40.32
TF3-020T	-920	-20	1.475	1.711	1 1/4	0.0548	37.47	43.47
TF3-024T	-924	-24	1.720	1.956	1 1/2	0.0632	43.69	49.69
TF3-028T	-928	-28	2.090	2.326	1 3/4	0.0759	53.09	59.09
TF3-032T	-932	-32	2.337	2.573	2	0.0844	59.36	65.36

O-ring sizes are designed for use with internal straight thread fluid connection bosses and tube fittings.

SAE straight thread O-ring boss and mating swivel and adjustable style fittings (AND10049, AND10050, MS33656, MS33657)



- 1 tetralon materials
- 2 back-up rings
- 3 metaplast II spring seals
- 4 tetracap & unilock seals
- 5 tetraflex piston seals
- 6 o-rings
- 7 metallic seals
- 8 tetralon bearings

CoorTek Engineering Action Request – Seals Division

CoorTek Engineering Action Request – Seals Division

CUSTOMER DATA

Company Name _____ Date Submitted _____
 Address _____ Date Required _____
 City, State, Zip, Country _____
 Telephone _____ Fax _____ OEM INTERNAL USE
 Contact Person _____ Title _____ Distributor EAR # _____
 E-Mail _____ Rebuilder Territory # _____
 Products Mfgd/Sold/Service _____ Consultant Territory Mgr _____

APPLICATION DATA

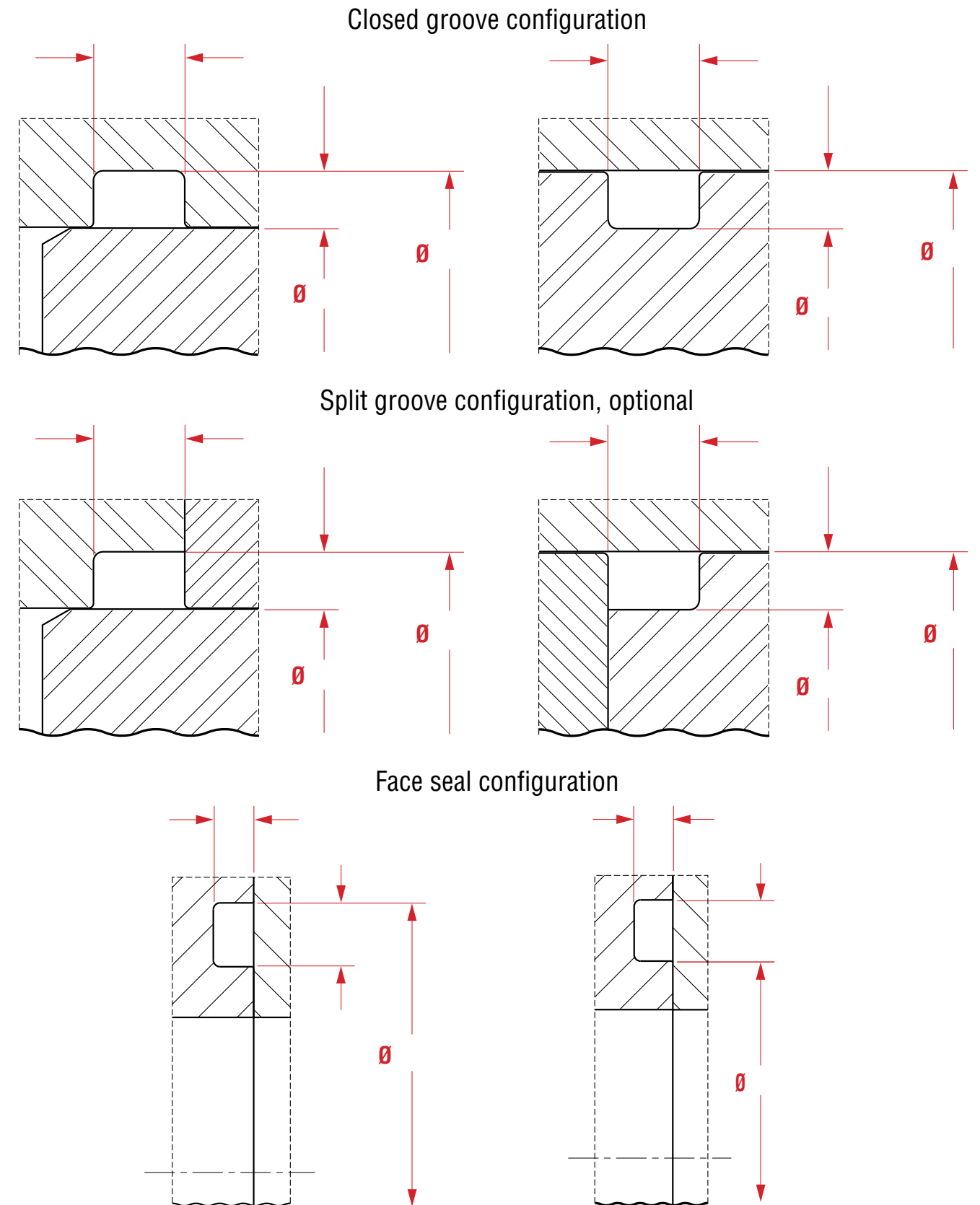
1. Is this application: New Design Retrofit
 2. Pressure Direction: Unidirectional Bidirectional
 3. Temperature: Min. _____ Normal _____ Max. _____ °C °F
 4. Pressure: Min. _____ Normal _____ Max. _____ Bar PSI Proof _____
 5. Media being sealed: _____
 6. If retrofit, please describe why customer wants to consider a new seal _____
 7. If this is a change, is there a source spec control drawing? Dwg # _____
 8. Disposition of existing parts: _____

HARDWARE DATA

All Dimensions are in: Millimeters Inches
 + _____
 Groove: Dia _____ - _____ Finish _____ Groove Height _____
 + _____
 Groove: Width _____ - _____ Groove Sidewall Finish _____
 Maximum Extrusion Gap: Radial _____ Diametral _____

1. Is hardware plated/coated? No Yes Specify _____
 2. Is seal installation tooling required? No Yes Not Sure
 3. Can hardware design be changed? No Yes How? _____
 4. Reference design specifications: _____
 5. Indicate applicable hardware design requirements in sketch below while showing pressure magnitude and directions (with arrows)

Please see following page for sketches



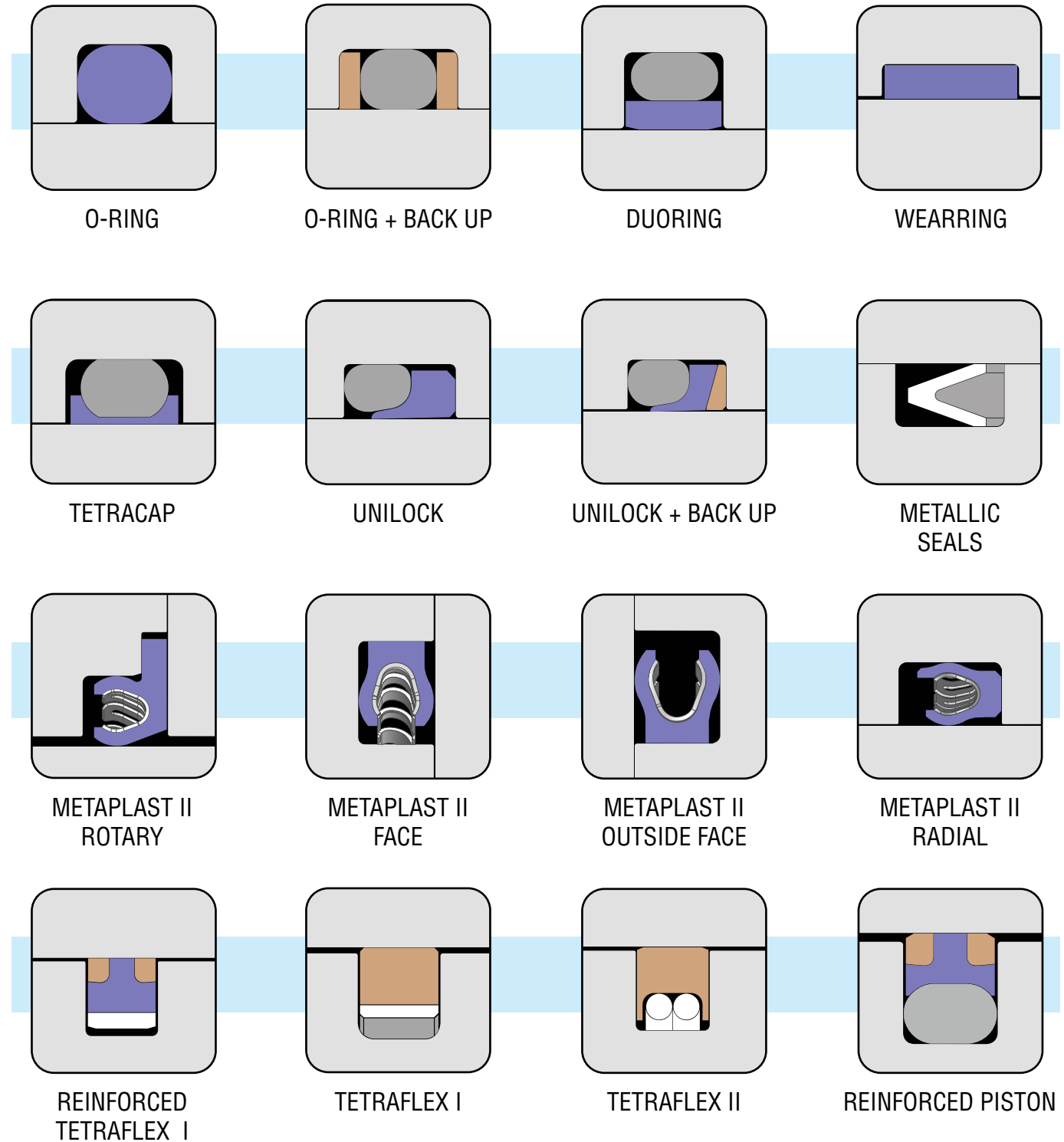
- 1 tetralon materials
- 2 back-up rings
- 3 metaplast II spring seals
- 4 tetracap & unilock seals
- 5 tetraflex piston seals
- 6 o-rings
- 7 metallic seals
- 8 tetralon bearings

- Allowable leakage (units): _____ Per _____
- Desired service life: _____
- Any special requirements? _____

- Type of evaluation: Bench Field Both Start Date _____ Duration _____
- Comments: _____

Notes

We also offer amazing sealing solutions.



- 1 tetralon materials
- 2 back-up rings
- 3 metaplast II spring seals
- 4 tetracap & unilock seals
- 5 tetraflex piston seals
- 6 o-rings
- 7 metallic seals
- 8 tetralon bearings

Ultra-Durable O-Rings for Demanding Applications



CoorsTek ultra-durable PTFE O-rings are your best solution for static, low pressure applications.

CoorsTek PTFE O-rings provide the most versatile chemical compatibility as they are made with inert material. Using our quick quote and turn around service, you will find the best part replacement to get your hardware in working condition again. If you have a one-of-a-kind O-ring, please call CoorsTek Engineering and we will engineer an equivalent or superior solution.

Combine with back-up rings for a more effective seal.

It is advisable when using O-rings for seals, to ensure the tolerances on the mating hardware components do not permit a big gap when in service. Unfilled PTFE materials tend to cold

flow and will extrude into assembly gaps when used without back-up rings. If you have a high-pressure application, all of our O-rings can be used in combination with Back-up rings for effective static sealing, please call CoorsTek Engineering for groove sizing in such cases. Back-up rings' function is to close the extrusion gap and hence dramatically enhancing O-ring service life. Refer the Back-up Rings section of the CoorsTek catalog for further information regarding standard back-up ring sizes.

The advantages of CoorsTek PTFE O-Rings:

- PTFE material has almost universal chemical compatibility
- O-rings are one of the best solutions for low-pressure systems
- Wide temperature range -320 °F to +500 °F
- Vacuum to high-pressure, when used in combination with appropriate back-up ring
- Fast pricing and prompt turn around
- O-ring sizes from 0.110" to ~40", call in with special sizing requests

Because virgin PTFE is not a resilient material, we developed an O-ring which may be energized with system pressure and provide significant resiliency. These types of O-rings incorporate a side groove allowing fluid to force the O-ring against the mating hardware components for static and a few dynamic conditions, please consult with CoorsTek Engineering to ensure best sealing performance.



➔ For more information on CoorsTek O-Rings or any of our other state-of-the-art products: call us at +1.310.322.8030 or email us at plasticseals@coorstek.com.



Serving Customers Where They Need Us Most!
CoorsTek has over 300,000 square meters (3 million square feet) of manufacturing floor space in over 40 facilities worldwide.



Property values vary with method of manufacture, size, and shape of part. Data contained herein is not to be construed as absolute and does not constitute a representation or warranty for which CoorsTek assumes legal responsibility.

CoorsTek, Amazing Solutions, and Tetralon are registered trademarks of CoorsTek, Inc. OpX is a trademark of CoorsTek, Inc.